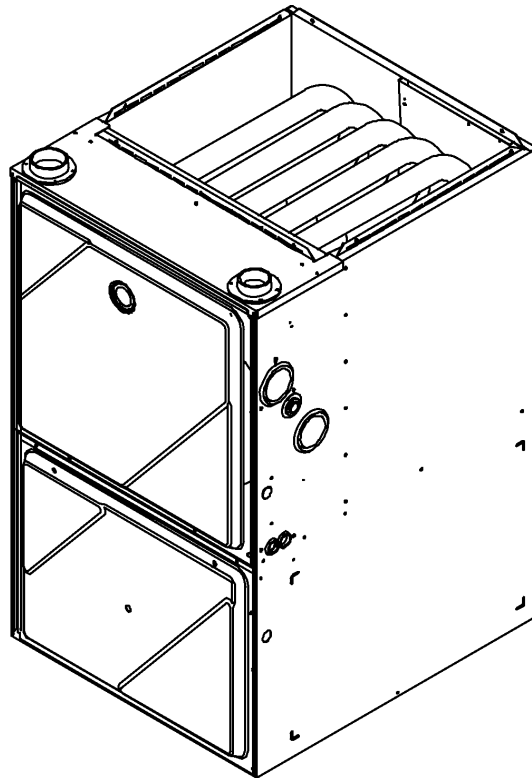

GMSS 92% PSC Up Flow Furnace

GMSS920402BNAA
GMSS920603BNAA
GMSS920803BNAA
GMSS920804CNAA
GMSS920805CNAA
GMSS921004CNAA
GMSS921005CNAA
GMSS921205DNAA



This manual is to be used by qualified technicians only.

© 2014 Goodman Manufacturing Company, L.P. ♦ 5151 San Felipe St., Suite 500 ♦ Houston, TX 77056

Important Information

Index

Functional Parts List	3
Illustration and Parts	4 - 11

Views shown are for parts illustrations only, not servicing procedures

Short 90% Furnace Project

Text Codes:

AR - As Required

NA - Not Available

NS - Not Shown

00000000 - See Note

QTY - Quantity Example (QTY 3) (If Quantity not shown, Quantity = 1)

M - Model Example (M1) (If M Code not shown, then part is used on all Models)

Expanded Model Nomenclature:

Example M1 - Model#1 M2 - Model#2 M3 - Model#3

Goodman Manufacturing Company, L.P. is not responsible for personal injury or property damage resulting from improper service. Review all service information before beginning repairs.

Warranty service must be performed by an authorized technician, using authorized factory parts. If service is required after the warranty expires, Goodman Manufacturing Company, L.P. also recommends contacting an authorized technician and using authorized factory parts.

Goodman Manufacturing Company, L.P. reserves the right to discontinue, or change at any time, specifications or designs without notice or without incurring obligations.

For assistance within the U.S.A. contact:
Consumer Affairs Department
Goodman Manufacturing Company, L.P.
7401 Security Way
Houston, Texas 77040
877-254-4729-Telephone
713-863-2382-Facsimile

For assistance outside the U.S.A. contact:
International Division
Goodman Manufacturing Company, L.P.
7401 Security Way
Houston, Texas 77040
713-861-2500-Telephone
713-863-2382-Facsimile

Functional Parts

Part No: **Description:**

0163F00017	BECKETT BURNER (QTY A/R)
0271F00161	BLOWER SHELL & WHEEL ASSY (M5, M7)
0271F00163	BLOWER SHELL & WHEEL ASSY (M8)
2939204	BLWR SCROLL 10X10 (M4, M6)
2939203	BLWR SCROLL 10X8 (M1, M2, M3)
CAP125000370VAP	CAP, 12.5 MFD/370V/OVAL (M1, M2, M3)
CAP150000370VAP	CAP, 15 MFD/370V/OVAL (M5, M7, M8)
CAP200000370VAP	CAP, 20 MFD/370V/OVAL (M4, M6)
0130F00010	FLAME SENSOR
0151M00037	GAS VALVE
0257F00286	HEAT EXCHANGER ASSY (M8)
0257F00283	HEAT EXCHANGER ASSY (M2)
0257F00295	HEAT EXCHANGER ASSY (M1)
0257F00296	HEAT EXCHANGER ASSY (M4, M5)
0257F00211	HEAT EXCHANGER ASSY (M3)
0257F00281	HEAT EXCHANGER ASSY (M6, M7)
B1370818	INTERLOCK SWITCH
10123539	MANUAL RESET LIMIT - ROS (M3, M5, M6, M7)
10123517	MANUAL RESET LIMIT - ROS (M1)
10123534	MANUAL RESET LIMIT - ROS (M4)
0130F00124	MANUAL RESET LIMIT - ROS (M8)
10123530	MANUAL RESET LIMIT - ROS (M2)
0131F00038	MOTOR, 1/2 HP (M4, M6)
0131F00027	MOTOR, 1/3HP, 4SP, 6PL (M1, M2, M3)
0131F00031	MOTOR, 3/4 HP (M5, M7, M8)
PCBBF134	PCB, IGNITION, HSI, INTEG
0130F00469	PRESSURE SWITCH (-.1 / -.75) (M8)
0130F00476	PRESSURE SWITCH (-.1 / -.85) (M1)
0130F00480	PRESSURE SWITCH (-.1 / -1.2) (M2, M3, M4, M5)
0130F00479	PRESSURE SWITCH (-.1 / -.97) (M6, M7)
20162907	PRIMARY LIMIT (M7)
20162903	PRIMARY LIMIT - BLUE (M5, M6)
0130F00038	PRIMARY LIMIT - LT BLUE 120° (AUX) (QTY 2)
0130F00036	PRIMARY LIMIT - PINK (M1, M2, M4)
20162906	PRIMARY LIMIT - WHITE (M3)
20162904	PRIMARY LIMIT-TEMPERATURE CONTROL (M8)
0130F00008	SINI IGNITOR
0130M00140	TRANSFORMER, 120V TO 24V,40VA
0150M00042	WHEEL, BLOWER (10 X 10) (M4, M6)
0150M00043	WHEEL, BLOWER (10 X 8) (M1, M2, M3)

Expanded Model Nomenclature

M1 - GMSS920402BNAA
M2 - GMSS920603BNAA
M3 - GMSS920803BNAA
M4 - GMSS920804CNAA
M5 - GMSS920805CNAA
M6 - GMSS921004CNAA
M7 - GMSS921005CNAA
M8 - GMSS921205DNAA

SPECIAL PARTS

0161F00000P	GOODMAN NAMEPLATE
-------------	-------------------

Cabinet

Image 1

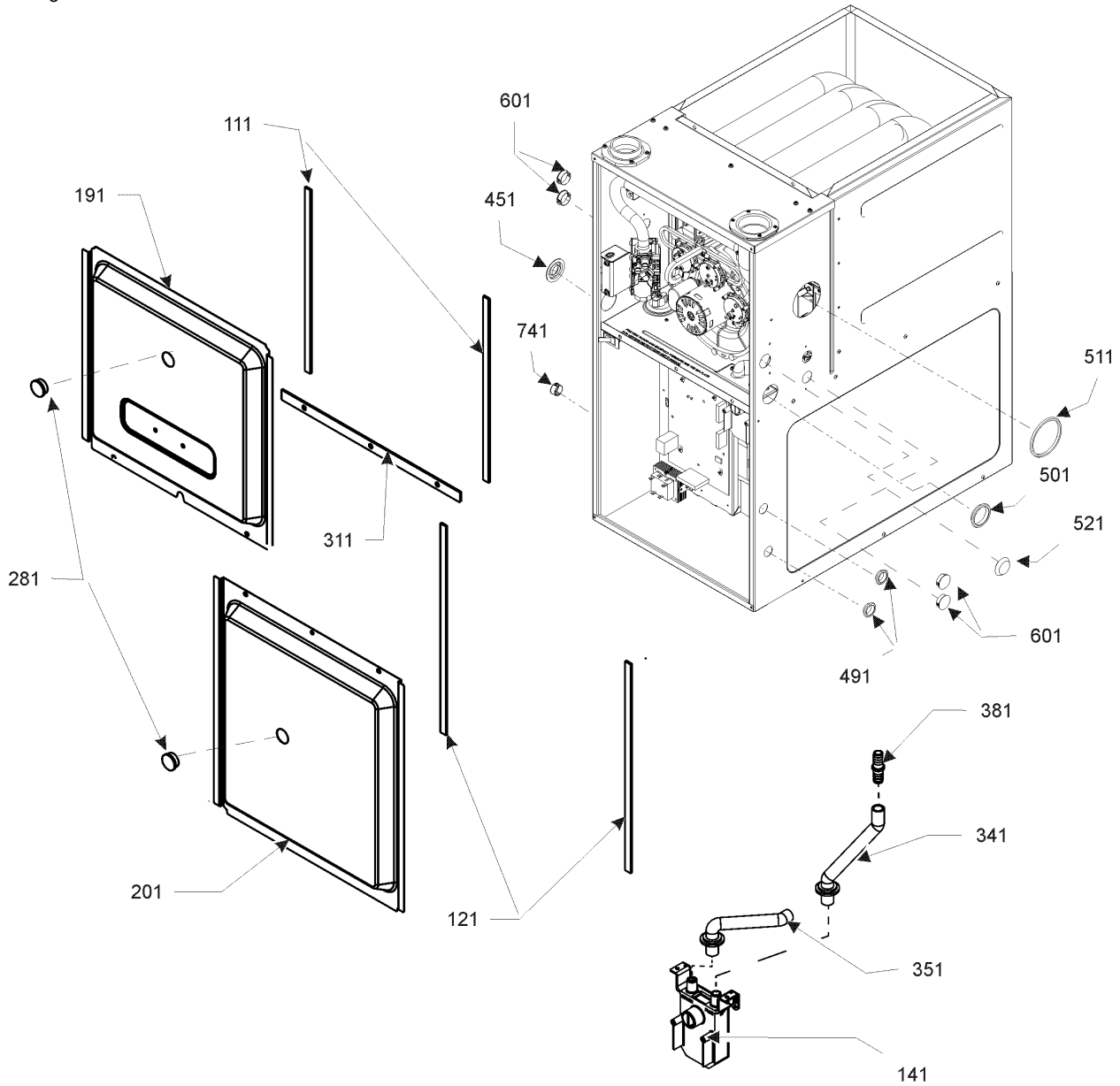
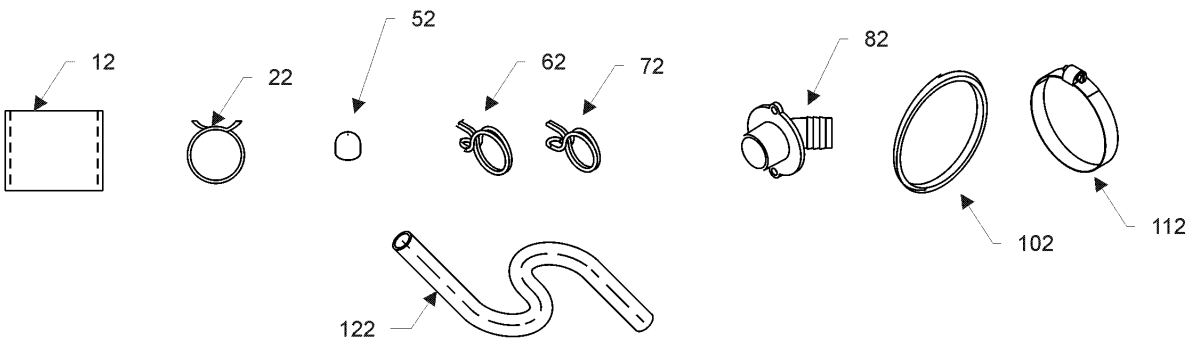


Image 2



Cabinet

Ref. Part No: No:	Description:	Ref. Part No: No:	Description:
-------------------	--------------	-------------------	--------------

Image 1:

111	0154F00024	GASKET (QTY 2)
121	0154F00023	GASKET (QTY 2)
141	0161F00046	DRAIN TRAP
191	0121F00292DG	DOOR ACCESS 21" PNT (M4, M5, M6, M7)
191	0121F00291DG	DOOR, ACCESS 17.5 PNT (M1, M2, M3)
191	0121F00293DG	DOOR, ACCESS 24.5" PNT (M8)
201	0121F00288DG	DOOR, BLOWER 17.5" PNT (M1, M2, M3)
201	0121F00289DG	DOOR, BLOWER 21" PNT (M4, M5, M6, M7)
201	0121F00290DG	DOOR, BLOWER 24.5" PNT (M8)
281	B1392139	VIEW PORT BUSHING-BLOWER DOOR (QTY 2)
311	0154F00020	DECK GASKET (M1, M2, M3)
311	0154F00021	DECK GASKET (M4, M5, M6, M7)
311	0154F00022	DECK GASKET (M8)
341	0164F00007	ELBOW/TRAP HOSE
351	0164F00006	COVER/TRAP HOSE
381	0161F00047	BARDED HOSE COUPLING
451	M0501301	PIPE GROMMET
491	M0570808	BUTTON PLUG (QTY 3)
501	M0570806	BUTTON PLUG
511	M0570807	BUTTON PLUG
521	0161M00027	HOLE PLUG (M1, M2, M3, M6, M7)
601	B1392021	PLASTIC PLUG, 1" (2713-BLK) (QTY 4)
741	B1392104	UNIVERSAL BUSHING UB 875
NS	M0310345	BUTTON PLUG (QTY 2)
NS	0161F00000P	GOODMAN NAMEPLATE
NS	0163M00049	HOSE CLAMP (QTY 2)

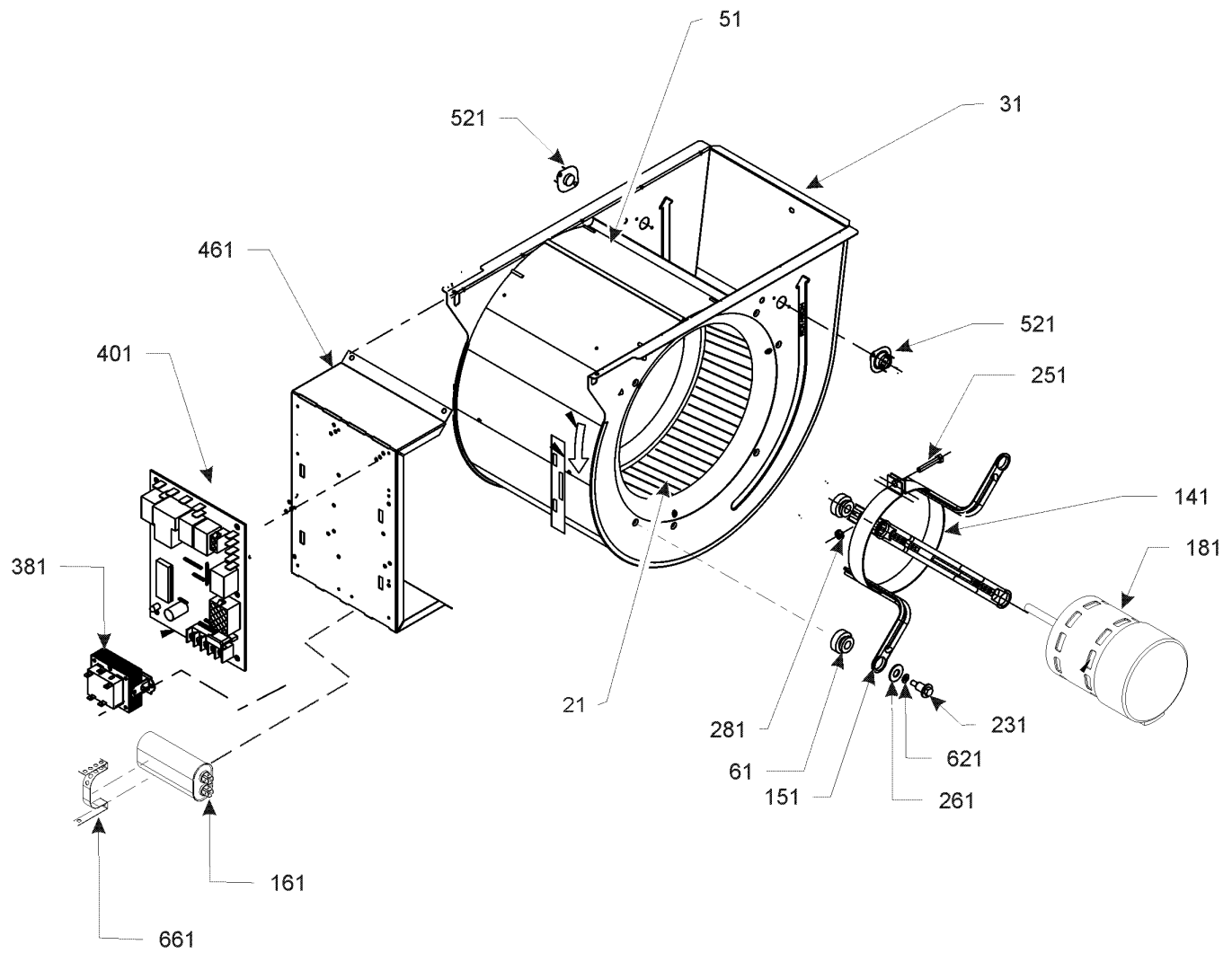
Image 2:

12	10254303	RUBBER COUPLING
22	M0119207	HOSE CLAMP (QTY 3)
52	A1781105	VINYL CAP .500
62	B1810011	HOSE CLAMP 1.25
72	B1810005	VINYL CAP CLAMP
82	0161F00048	45 DEGREE BARB/PVC PIPE COUPLING
102	M0570807	BUTTON PLUG
112	0163M00049	HOSE CLAMP (QTY 2)
122	0164M00002	PRESSURE SWITCH HOSE

Expanded Model Nomenclature

- | |
|---------------------|
| M1 - GMSS920402BNAA |
| M2 - GMSS920603BNAA |
| M3 - GMSS920803BNAA |
| M4 - GMSS920804CNAA |
| M5 - GMSS920805CNAA |
| M6 - GMSS921004CNAA |
| M7 - GMSS921005CNAA |
| M8 - GMSS921205DNAA |

Blower Assembly



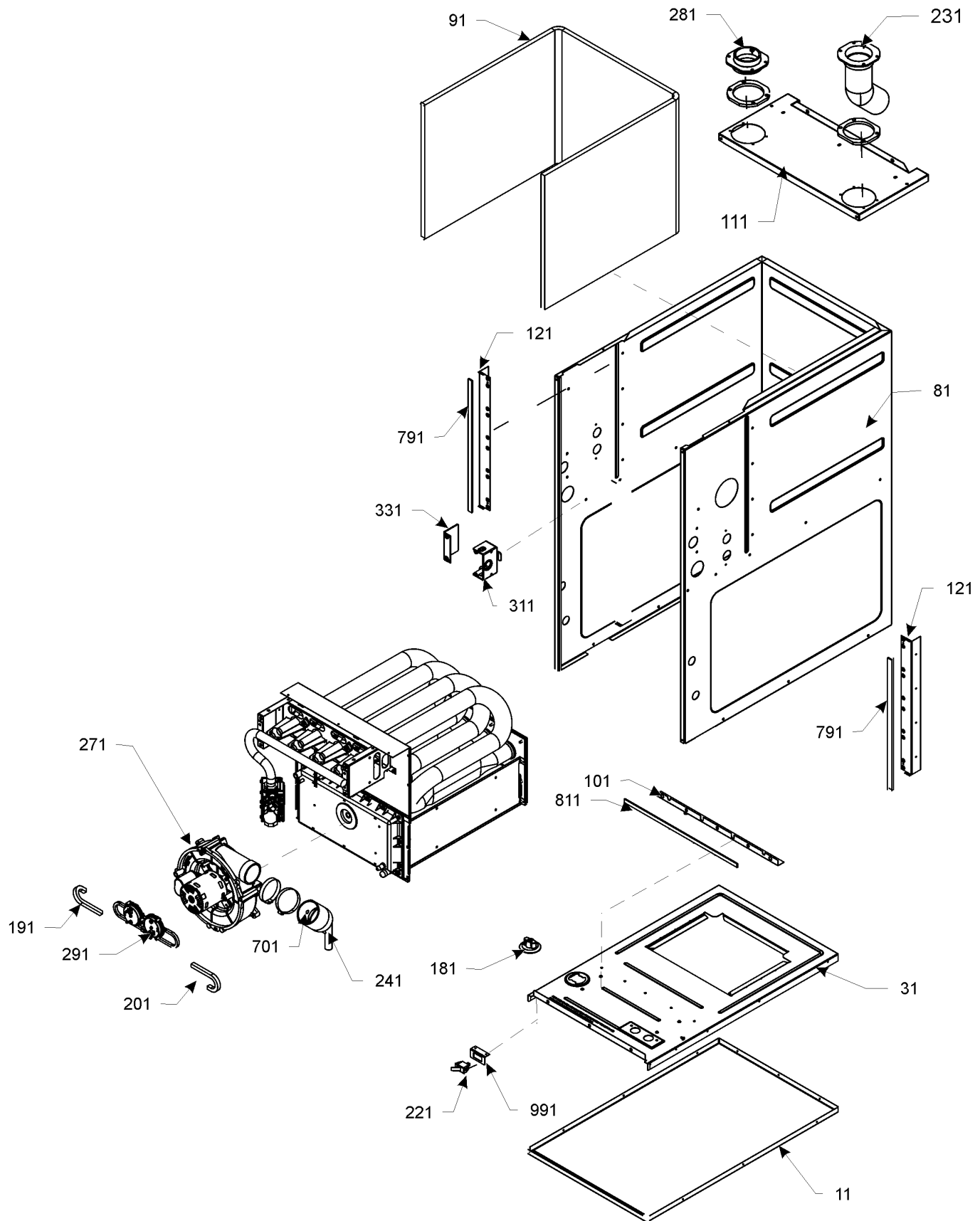
Blower Assembly

Ref. Part No: No:	Description:	Ref. Part No: No:	Description:
Image 1:			
21	0150M00042		WHEEL, BLOWER (10 X 10) (M4, M6)
21	0150M00043		WHEEL, BLOWER (10 X 8) (M1, M2, M3)
31	0271F00161		BLOWER SHELL & WHEEL ASSY (M5, M7)
31	0271F00163		BLOWER SHELL & WHEEL ASSY (M8)
31	2939204		BLWR SCROLL 10X10 (M4, M6)
31	2939203		BLWR SCROLL 10X8 (M1, M2, M3)
51	764741F		BLOWER BLOCK-OFF 10 X 10 (M4, M6)
51	764740		BLWR BLK-OFF,10X8 (M1, M2, M3)
61	A4002702		BLOWER MOTOR GROMMET (M5, M7, M8)
141	10441601		MOTOR MOUNT BAND (M5, M7, M8)
151	10441501		MOTOR MOUNT ARM (M5, M7, M8)
161	CAP125000370VAP		CAP, 12.5 MFD/370V/OVAL (M1, M2, M3)
161	CAP150000370VAP		CAP, 15 MFD/370V/OVAL (M5, M7, M8)
161	CAP200000370VAP		CAP, 20 MFD/370V/OVAL (M4, M6)
181	0131F00038		MOTOR, 1/2 HP (M4, M6)
181	0131F00027		MOTOR, 1/3HP, 4SP, 6PL (M1, M2, M3)
181	0131F00031		MOTOR, 3/4 HP (M5, M7, M8)
231	M0221461		TC SCREW (M5, M7, M8)
231	M0250558		TC SCREW (M1, M2, M3, M4, M6)
251	M0267144		MACHINE SCREW (M5, M7, M8)
261	M0274008		FLAT WASHER (M5, M7, M8)
281	M0282015		KEPS NUT (M5, M7, M8)
381	0130M00140		TRANSFORMER, 120V TO 24V,40VA
401	PCBBF134		PCB, IGNITION, HSI, INTEG
461	0121F00464		CONTROL MOUNTING PLATE
521	0130F00038		PRIMARY LIMIT - LT BLUE 120° (AUX) (QTY 2)
621	B1392820		SLIT LOCK WASHER (M5, M7, M8)
661	20520901		CAPACITOR STRAP
NS	B1392021		1" PLASTIC PLUG (QTY 4)
NS	0259F00024		HARNESS - BLOWER

Expanded Model Nomenclature

M1 - GMSS920402BNAA
M2 - GMSS920603BNAA
M3 - GMSS920803BNAA
M4 - GMSS920804CNAA
M5 - GMSS920805CNAA
M6 - GMSS921004CNAA
M7 - GMSS921005CNAA
M8 - GMSS921205DNAA

Chassis



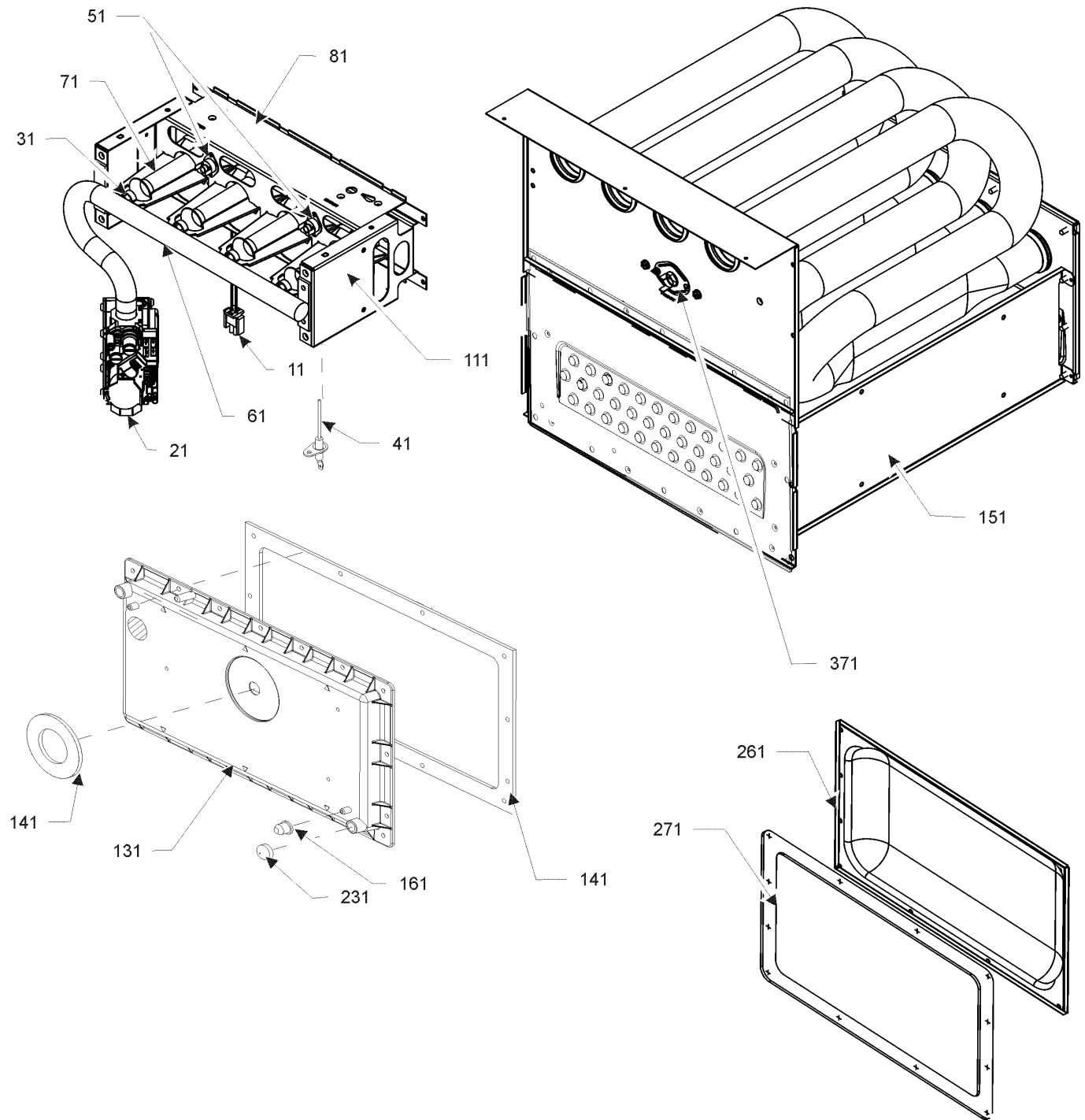
Chassis

Ref. Part No: No:	Description:	Ref. Part No: No:	Description:
Image 1:			
11	0121F00386DG		BASEPAN, UPFLOW PNT (M1, M2, M3)
11	0121F00387DG		BASEPAN, UPFLOW PNT (M4, M5, M6, M7)
11	0121F00388DG		BASEPAN, UPFLOW PNT (M8)
31	0121F00285		DECK, BLOWER 17.5 (M1, M2, M3)
31	0121F00286		DECK, BLOWER 21 (M4, M5, M6, M7)
31	0121F00287		DECK, BLOWER 24.5 (M8)
81	0121F00282		WRAPPER, 17.5 (M1, M2, M3)
81	0121F00283		WRAPPER, 21 (M4, M5, M6, M7)
81	0121F00284		WRAPPER, 24.5 (M8)
91	0160F00015		INSULATION, HT EXCHANGER 17.5" (M1, M2, M3)
91	0160F00016		INSULATION, HT EXCHANGER 21" (M4, M5, M6, M7)
91	0160F00017		INSULATION, HT EXCHANGER 24.5" (M8)
101	0121F00314		ANGLE, DECK (M1, M2, M3)
101	0121F00315		ANGLE, DECK (M4, M5, M6, M7)
101	0121F00316		ANGLE, DECK (M8)
111	0121F00279DG		PAINTED TOP, FURNACE 17.5 (M1, M2, M3)
111	0121F00280DG		PAINTED TOP, FURNACE 21 (M4, M5, M6, M7)
111	0121F00281DG		PAINTED TOP, FURNACE 24.5 (M8)
121	0121F00313		SIDE ANGLE (QTY 2)
181	0159F00042		HARNESS-WIRING (M1, M2, M3)
181	0159F00043		HARNESS-WIRING (M4, M5, M6, M7, M8)
191	0164M00015		PRESSURE SWITCH HOSE
201	0164M00008		PRESSURE SWITCH HOSE
221	B1370818		INTERLOCK SWITCH
231	0164F00002		FLUE PIPE W/BEND
241	0164F00001		ELBOW-FLUE, UPFLOW
271	0171M00001		MOTOR-ID, BLOWER
281	0161F00037		COUPLING
291	0130F00469		PRESSURE SWITCH (-.1 / -.75) (M8)
291	0130F00476		PRESSURE SWITCH (-.1 / -.85) (M1)
291	0130F00480		PRESSURE SWITCH (-.1 / -1.2) (M2, M3, M4, M5)
291	0130F00479		PRESSURE SWITCH (-.1 / -.97) (M6, M7)
311	0161F00042		JUNCTION BOX
331	0161F00043		JUNCTION BOX LID
701	M0326804		TUBE PLUG
791	0154F00015		GASKET (QTY 2)
811	0154F00014		GASKET (M1, M2, M3)
811	0154F00016		GASKET (M4, M5, M6, M7)
811	20194607		GASKET (M8)
991	0121F00389		BRACKET, DOOR SWITCH

Expanded Model Nomenclature

M1 - GMSS920402BNAA
M2 - GMSS920603BNAA
M3 - GMSS920803BNAA
M4 - GMSS920804CNAA
M5 - GMSS920805CNAA
M6 - GMSS921004CNAA
M7 - GMSS921005CNAA
M8 - GMSS921205DNAA

Heat Exchanger / Manifold / Gas Valve



Heat Exchanger / Manifold / Gas Valve

Ref. Part No:	Description:	Ref. Part No:	Description:
<i>Image 1:</i>		Expanded Model Nomenclature	
11	0130F00008 SINI IGNITOR	M1	GMSS920402BNAA
21	0151M00037 GAS VALVE	M2	GMSS920603BNAA
31	0163F00004 ORIFICE (QTY A/R)	M3	GMSS920803BNAA
41	0130F00010 FLAME SENSOR	M4	GMSS920804CNAA
51	0130F00124 MANUAL RESET LIMIT - ROS (M8)	M5	GMSS920805CNAA
51	10123517 MANUAL RESET LIMIT - ROS (M1)	M6	GMSS921004CNAA
51	10123530 MANUAL RESET LIMIT - ROS (M2)	M7	GMSS921005CNAA
51	10123534 MANUAL RESET LIMIT - ROS (M4)	M8	GMSS921205DNAA
51	10123539 MANUAL RESET LIMIT - ROS (M3, M5, M6, M7)		
61	0163F00007 MANIFOLD (M1)		
61	0163F00008 MANIFOLD (M2)		
61	0163F00009 MANIFOLD (M4, M5)		
61	0163F00010 MANIFOLD (M6, M7)		
61	0163F00011 MANIFOLD (M8)		
61	0163F00014 MANIFOLD (M3)		
71	0163F00017 BECKETT BURNER (QTY A/R)		
81	0121F00456 BRACKET-BURNER 2 (M1)		
81	0121F00455 BRACKET-BURNER 3 (M2)		
81	0121F00454 BRACKET-BURNER 4 (M3, M4, M5)		
81	0121F00453 BRACKET-BURNER 5 (M6, M7)		
81	0121F00451 BRACKET-BURNER 6 (M8)		
111	0121F00469 ORIFICE BRACKET-BURNER 2 (M1)		
111	0121F00468 ORIFICE BRACKET-BURNER 3 (M2)		
111	0121F00467 ORIFICE BRACKET-BURNER 4 (M3, M4, M5)		
111	0121F00466 ORIFICE BRACKET-BURNER 5 (M6, M7)		
111	0121F00465 ORIFICE BRACKET-BURNER 6 (M8)		
131	0161F00018 COVER, FRONT (M4, M5)		
131	0161F00023 COVER, FRONT (M1)		
131	0161F00027 COVER, FRONT (M6, M7)		
131	0161F00028 COVER, FRONT (M8)		
131	0161F00031 COVER, FRONT (M2)		
131	0161F00068 COVER, FRONT (M3)		
141	0154F00011 FRONT GASKET (M1, M2, M3)		
141	0154F00012 FRONT GASKET (M4, M5, M6, M7)		
141	0154F00013 FRONT GASKET (M8)		
151	0257F00211 HEAT EXCHANGER ASSY (M3)		
151	0257F00281 HEAT EXCHANGER ASSY (M6, M7)		
151	0257F00283 HEAT EXCHANGER ASSY (M2)		
151	0257F00286 HEAT EXCHANGER ASSY (M8)		
151	0257F00295 HEAT EXCHANGER ASSY (M1)		
151	0257F00296 HEAT EXCHANGER ASSY (M4, M5)		
161	M0326804 TUBE PLUG		
231	A1781105 CAP-VINYL .500		
261	0121F00317 REAR COVER (M1, M2, M3)		
261	0121F00318 REAR COVER (M4, M5, M6, M7)		
261	0121F00319 REAR COVER (M8)		
271	0154F00008 REAR COVER GASKET (M1, M2, M3)		
271	0154F00009 REAR COVER GASKET (M4, M5, M6, M7)		
271	0154F00010 REAR COVER GASKET (M8)		
371	20162907 PRIMARY LIMIT (M7)		
371	20162903 PRIMARY LIMIT - BLUE (M5, M6)		
371	0130F00036 PRIMARY LIMIT - PINK (M1, M2, M4)		
371	20162906 PRIMARY LIMIT - WHITE (M3)		
371	20162904 PRIMARY LIMIT-TEMPERATURE CONTROL (M8)		
NS	0121F00439 HEAT SHIELD - PRIMARY LIMIT		
NS	0121F00355 SHIELD, COIL (QTY 2)		